

ACCESSORIES

AC 1900

24V

48V

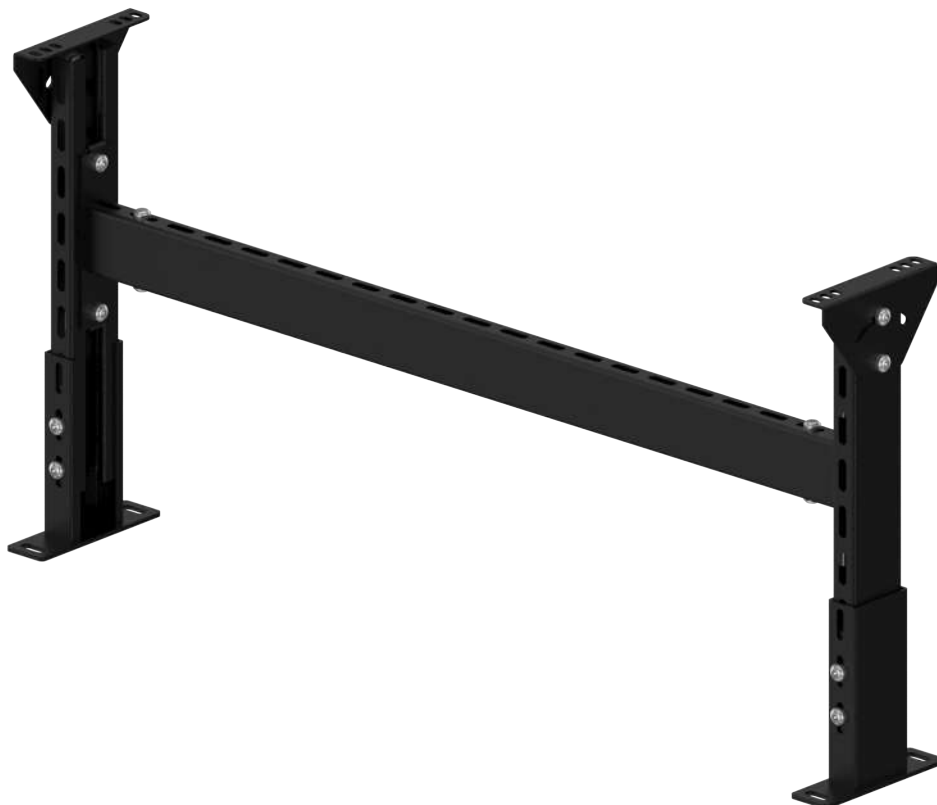
400V

Product description

The support is intended for fastening the modules to the floor or lift floor. The support foot is infinitely adjustable. A simple height adjustment via threaded spindle can be ordered as an add-on.

Scope of delivery

- Infinite height adjustment with optional threaded spindle
- Support fully assembled
- Other support models on request

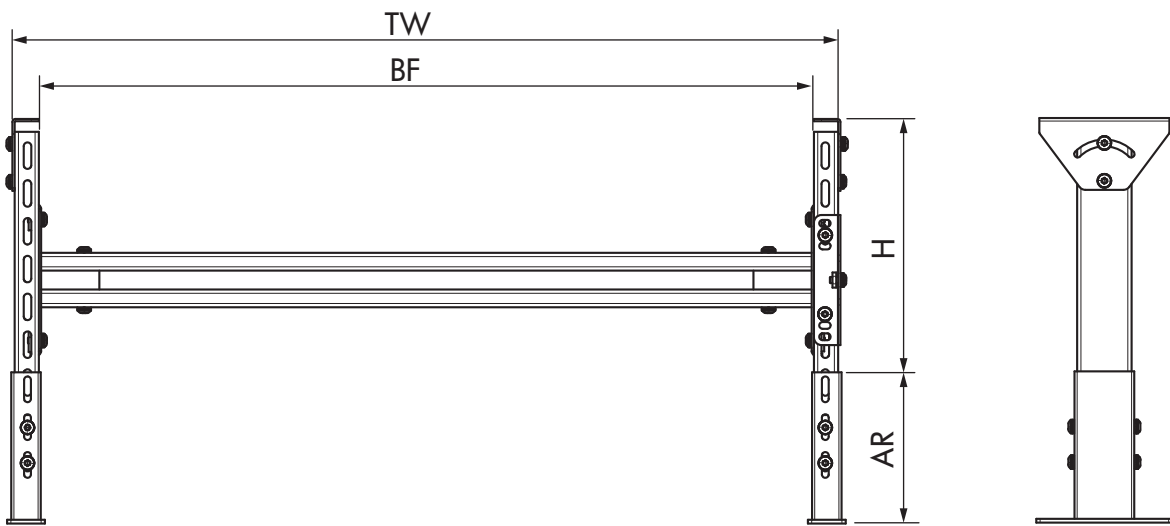


Technical data

General technical data

Max. load capacity 80 kg/m

Dimensions



H	Height	Max. 3000 mm
AR	Adjustment range	± 50 mm
BF	Rated width	620, 840, 1025, 1225 mm