

CONVEYOR ACCESSORIES

SERIES 5500



Polymer ball transfer unit



Application area

The roller is used for aligning medium-heavy materials, e.g. plates, containers or cardboards with smooth bottom. Furthermore, the roller can be used for pushing, e.g. when transporting steel or wooden plates.

Direction-independent operation

The use of balls allows transporting the material in every direction. Crossings and switches can also be implemented easily. In addition, particularly soft running balls are being used.

Good protection against dust and humidity

For variants with steel balls, a felt seal keeps out dust. Design with main balls made of stainless steel or polymer also show a high corrosion resistance.

Suitable for sensitive materials

Variants with polymer balls are available for transporting goods with sensitive surfaces.

Secure support

The main ball rotates on support balls which turn on a ball socket. This accomplishes a good support of the material. The ball socket consists of stainless steel in all variants.





CONVEYOR ACCESSORIES SERIES 5500

Polymer ball transfer unit

Technical data

General technical data			
Platform	5000	5000	5000
Max. load capacity	400 N	400 N	150 N
Max. conveyor speed	0.3 m/s	0.3 m/s	0.3 m/s
Temperature range	0 to +40 °C	0 to +40 °C	0 to +40 °C
Material			
Ball	Carbon steel	Stainless steel	Polyamide (white)
Housing	Polyamide, RAL9005 (jet black)	Polyamide, RAL7030 (stone gray)	Polyamide, RAL9005 (jet black)
Support ball	Uncoated steel	Stainless steel	Uncoated steel
Ball socket	Stainless steel	Stainless steel	Stainless steel
Anti-static version	No	No	No

To ensure optimum load capacity, it is advised that all ball transfer units are positioned at the exact same level.

Load capacities of series 5500

The load capacity table refers to a temperature range of 0 to +40 °C.

Fastener	Ø Ball [mm]	Ball material	Max. static load [N]	Article number
Bottom flange (for screw fastening)	25.4	Zinc-plated steel	400	S-64000391
		Stainless steel	400	S-64000396
		Polyamide	150	S-64000404
Head flange (press fit)	25.4	Zinc-plated steel	300	S-64000394
		Stainless steel	300	S-64000398
		Polyamide	150	S-64000406
Threaded pin	25.4	Zinc-plated steel	400	S-64000395
		Stainless steel	400	S-64000399
		Polyamide	150	S-64000402
Head flange (for screw fastening)	25.4	Zinc-plated steel	300	S-64000392
		Stainless steel	300	S-64000397
		Polyamide	150	S-64000405

CONVEYOR ACCESSORIES

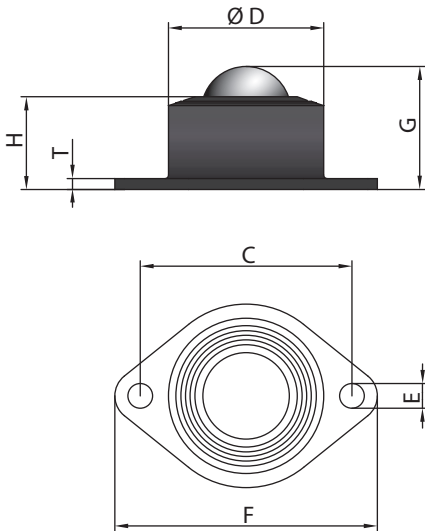
SERIES 5500

Polymer ball transfer unit



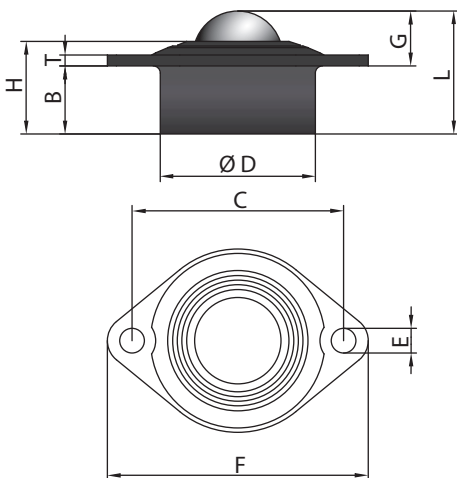
Dimensions

Bottom flange (for screw fastening)



Ø D [mm]	G [mm]	H [mm]	T [mm]	C [mm]	F [mm]	E [mm]
44 +0/-0.2	35	26	3	60	74/52	Ø 7

Head flange (for screw fastening)





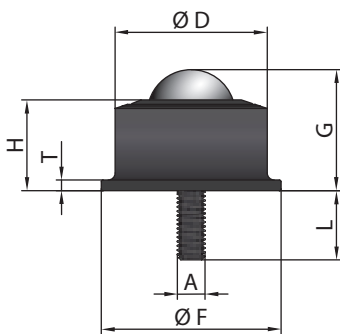
CONVEYOR ACCESSORIES

SERIES 5500

Polymer ball transfer unit

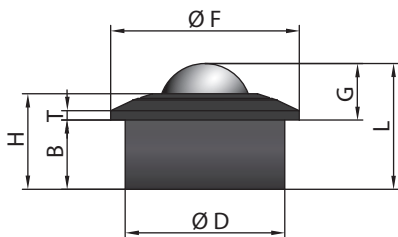
Ø D [mm]	G [mm]	H [mm]	T [mm]	B [mm]	L [mm]	C [mm]	F [mm]	E [mm]
44 +0/-0.2	15.6	26.3	3	19.3	34.9	60	74/52	Ø 7

Threaded pin



Ø D [mm]	G [mm]	A [mm]	L [mm]	Ø F [mm]	T [mm]	H [mm]
44 +0/-0.2	35	M8	20	52	3	26.3

Head flange (press fit)



Ø D [mm]	G [mm]	Ø F [mm]	L [mm]	B [mm]	T [mm]	H [mm]
44 +0/-0.2	15.6	52	34.7	19.1	2.6	26.3