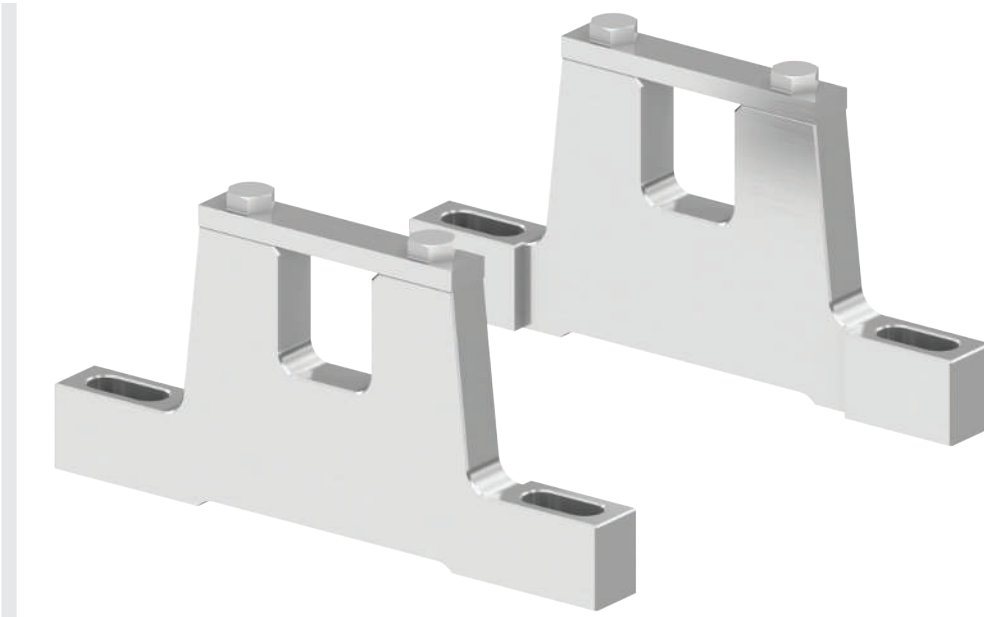


# DM SERIES OPTIONS AND ACCESSORIES PLUMMER BLOCK

## Plummer block

The plummer block bracket supports a simple assembly of the drum motors and deflection drums.



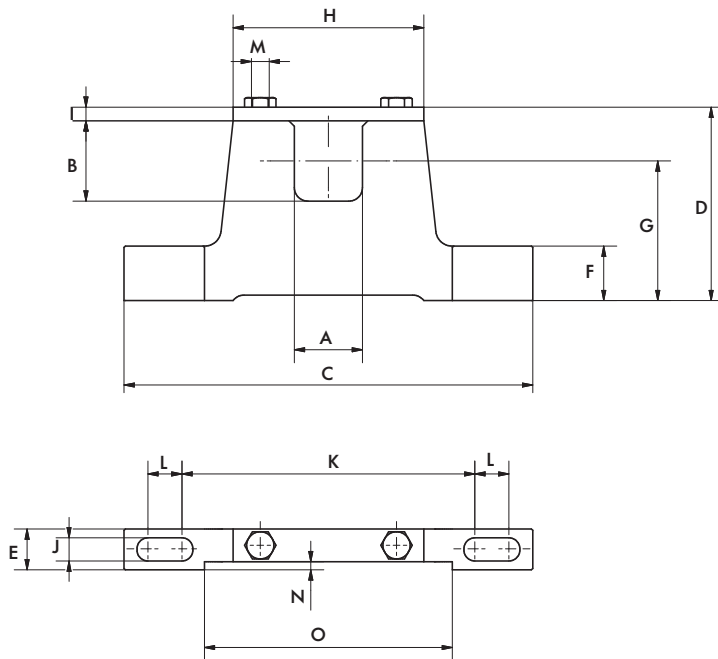
## Product selection

Drum motor	Material	Article number			
		WAF 13.5 mm	WAF 20 mm	WAF 25 mm	WAF 30 mm
DM 0080	Aluminum	61008580	61113900	61010381	
	Stainless steel	61113949	61113950	61113951	
DM 0113	Aluminum	–	61008581	61115653	
	Stainless steel	–	61115651	61115652	
DM 0138	Aluminum	–	61008582	61116301	
	Stainless steel	–	61116302	61116303	
DM 0165 / DM 0217	Cast iron	–	–	–	61009983
	Aluminum	–	–	–	61100431

WAF = Width across flats

# DM SERIES OPTIONS AND ACCESSORIES PLUMMER BLOCK

## Dimensions



Drum motor/ deflection roller	Material	A [mm]	B [mm]	C [mm]	D [mm]	S [mm]	F [mm]	G [mm]	H [mm]	I [mm]	J [mm]	K [mm]	L [mm]	M [mm]	N [mm]	O [mm]
DM 0080	Aluminum	13.5	16.5	100	47.5	10	12	35	35	4	6.5	72.5	7.5	M6	-	-
	Stainless steel	20	24.5	150	68.5	15	20	51	70	5	8.5	108	12	M6	3	91
		25	29.5	150	71	15	20	51	70	5	8.5	108	12	M6	3	91
DM 0113	Aluminum	20	24.5	150	59.5	20	15	42.5	55	5	8.5	118.5	6.5	M6	-	-
	Stainless steel	25	29.5	150	59.5	20	15	40	55	5	8.5	118.5	6.5	M6	-	-
DM 0138	Aluminum	20	29.5	150	64.5	20	15	44.5	55	5	8.5	118.5	6.5	M6	-	-
	Stainless steel	25	29.5	150	64.5	20	15	44.5	55	5	8.5	118.5	6.5	M6	-	-
DM 0165 / DM 0217	Aluminum	30	39.5	170	75	20	20	50	70	5	11	116	14	M8	-	-
	Cast iron	30	36	190	75	40	22	50	72	5	14	110	20	M10	-	-