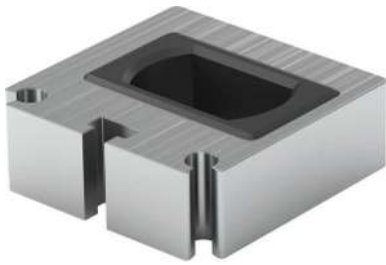


DL SERIES OPTIONS AND ACCESSORIES ANTI-VIBRATION BRACKETS

Anti-vibration brackets



Product description

Anti-vibration bracket with rubber insulation part for reduction of noise and vibration. The bracket is designed so that the drum motor shaft is secured should the rubber become damaged.

With 2 brackets fitted, max. torque of drum motor must be limited to 40 Nm (354 lbf).

Dimensions

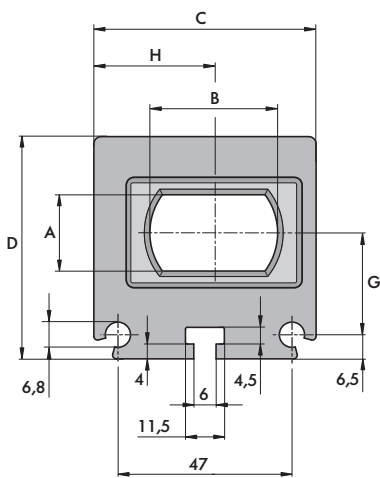


Fig.: Anti-vibration brackets

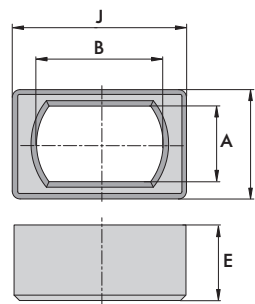


Fig.: Rubber

A	B	C	D	S	F	G	H	I	J
[mm]	[mm]	[mm]	[mm]	[mm]	[mm]	[mm]	[mm]	[mm]	[mm]
20.5	34.5	60.0	60.0	21.0	20.0	27.6	32.5	30.0	47.75

Product selection

Article	Art. No.
Anti-vibration brackets	61103929
Rubber	1000455